

Product sheet

Output connector

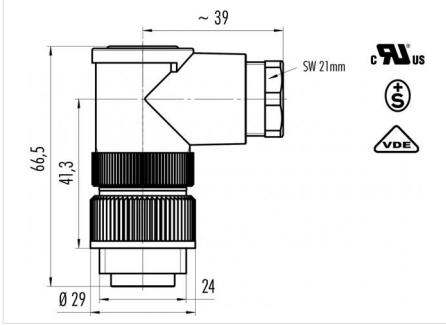


Product	Contacts: 3+PE, male angled connector, PG 13.5 with VDE, ETS, UL approval	Area	RD24 Power Series 692/693
Pole	3+PE	Article number	99 4221 215 04

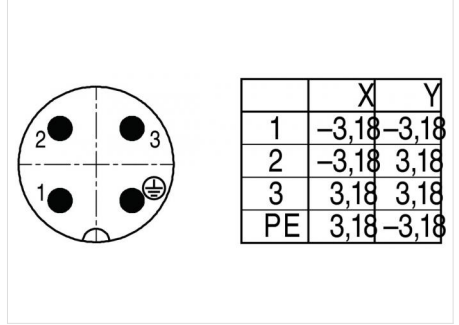
Illustration



Scale drawing



Contact Arrangement



You can find the item description on the next page.

Technical data

Common values

Connector Design	Male angled connector
Connector locking system	screw
Wire gauge (mm)	0.5 -2.5 mm ²
Wire gauge (AWG)	20-14
Cable outlet	10 - 12 mm
Upper temperature	100 °C
Lower temperature	-40 °C

Electrical values

Rated voltage	600 V
Rated impulse voltage	6000 V
Pollution degree	3
Overvoltage category	III
Material group	III
Rated current (40°C)	16 A (12 A UL)
Volume resistivity	≤ 5 mΩ
EMV compliance	nicht geschirmt
Degree of protection	IP67
Mechanical operation	> 500 mating cycles

Material

Material of contact	CuZn (Brass)
Contact plating	Ag (Silver)
Material of contact body	PBT (UL 94 V-0)
Material of housing	PBT (UL 94 V-0)

Contacts: 3+PE, male angled connector, PG 13.5, with VDE, ETS, UL approval, screw



Product

Contacts: 3+PE, male angled connector, PG
13.5 with VDE, ETS, UL approval
3+PE

Area
Article number

RD24 Power Series 692/693
99 4221 215 04

Pole

Item description

