

Product sheet

Output connector

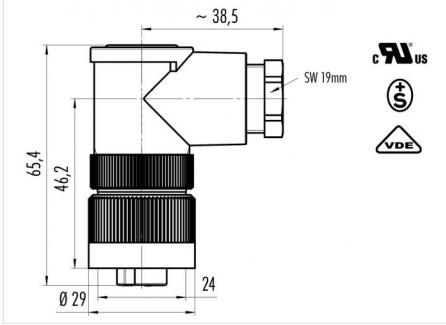


| | | | |
|---------|--|----------------|----------------------------------|
| Product | Contacts: 6+PE, female angled connector, PG 11 with VDE, ETS, UL approval | Area | RD24 Power Series 692/693 |
| Pole | 6+PE | Article number | 99 4226 210 07 |

Illustration



Scale drawing



Contact Arrangement

| | X | Y |
|----|-------|-------|
| 1 | 3,25 | -3,54 |
| 2 | 4,76 | 0,63 |
| 3 | 2,22 | 4,26 |
| 4 | -2,22 | 4,26 |
| 5 | -4,76 | 0,63 |
| 6 | -3,25 | -3,54 |
| PE | 0,00 | 0,50 |

You can find the item description on the next page.

Technical data

Common values

| | |
|--------------------------|-------------------------|
| Connector Design | Female angled connector |
| Connector locking system | screw |
| Wire gauge (mm) | 0.75 mm ² |
| Wire gauge (AWG) | 18 |
| Cable outlet | 8 - 10 mm |
| Upper temperature | 100 °C |
| Lower temperature | -40 °C |

Electrical values

| | |
|-----------------------|---------------------|
| Rated voltage | 250 V |
| Rated impulse voltage | 4000 V |
| Pollution degree | 3 |
| Overvoltage category | III |
| Material group | III |
| Rated current (40°C) | 10 A (8 A UL) |
| Volume resistivity | ≤ 5 mΩ |
| EMV compliance | nicht geschirmt |
| Degree of protection | IP67 |
| Mechanical operation | > 500 mating cycles |

Material

| | |
|--------------------------|-----------------------------|
| Material of contact | CuSn (Bronze), CuZn (Brass) |
| Contact plating | Ag (Silver) |
| Material of contact body | PBT (UL 94 V-0) |
| Material of housing | PBT (UL 94 V-0) |

Contacts: 6+PE, female angled connector, PG 11 with VDE, ETS, UL approval, solder



Product
Pole

Contacts: 6+PE, female angled connector,
PG 11 with VDE, ETS, UL approval
6+PE

Area
Article number

RD24 Power Series 692/693
99 4226 210 07

Item description

