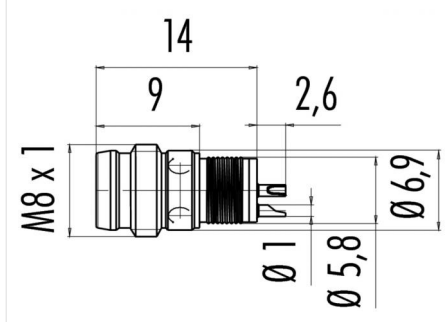


| | | | |
|---------|--|----------------|--------------------------|
| Product | Contacts: 4+LED red, integrated plug, combination version | Area | M8 Series 768/718 |
| Pole | 4 | Article number | 09 3415 40 04 |

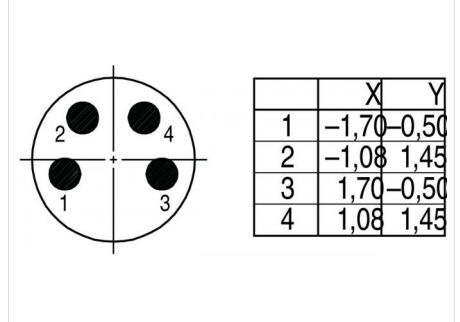
Illustration



Scale drawing



Contact Arrangement



Technical data

Common values

| | |
|--------------------------|---------------------------|
| Connector Design | Integrated male connector |
| Connector locking system | Screw / snap |
| Termination | Solder |
| Wire gauge (mm) | 0.25 mm ² |
| Wire gauge (AWG) | 24 |
| Upper temperature | 70 °C |
| Lower temperature | -40 °C |

Electrical values

| | |
|-----------------------|--------------------|
| Rated voltage | 30 V |
| Rated impulse voltage | 500 V |
| Pollution degree | 3 |
| Overvoltage category | II |
| Material group | II |
| Rated current (40°C) | 4 A |
| Volume resistivity | ≤ 3 mΩ |
| EMV compliance | not shielded |
| Degree of protection | IP65 |
| Mechanical operation | > 50 mating cycles |

Material

| | |
|--------------------------|----------------------------|
| Material of contact | CuZn (Brass) |
| Contact plating | Au (Gold) |
| Material of contact body | PA (UL 94 HB) |
| Material of housing | CuZn (Brass nickel-plated) |

Contacts: 4+LED red, integrated plug, combination version