

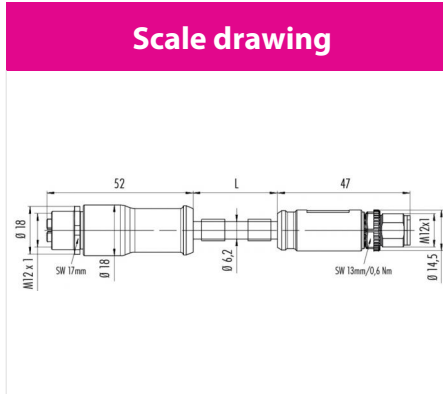
Product **Contacts: 8, Connecting cable 5m, Male cable connector M12x1 - Female cable connector M12x1, shielded**

Area **M12-D, M12-X Series 876 X-coding**
 Article number **79 9724 050 08**

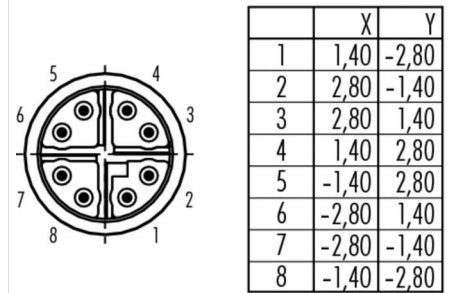
Illustration



Scale drawing



Contact Arrangement



Technical data

General features

Connector Design connecting cord
 Connector locking system bolted
 Termination crimp, overmoulded on cable
 Wire gauge (AWG) 26/7
 Upper temperature 85 °C
 Lower temperature -40 °C

Cable data

material housing PUR green
 Insulation single lead PE
 Single lead structure 7 x 0,16
 Cable sheath Ø 6.2
 Conductor resistance 14,5Ω/100 m
 Temperature range cable movable °C from -10
 Temperature range cable movable °C to 60
 Temperature range cable fixed °C from -40
 Temperature range cable fixed °C to 60
 Bending radius cable fixed ≥ 25 mm
 Bending radius cable movable ≥ 50 mm

Electrical parameters

Rated voltage 50V AC, 60V DC V
 Pollution degree 3
 Overvoltage category II
 Material group II
 Rated current (40°C) 0,5 A
 Volume resistivity ≤ 10 mΩ
 EMV compliance shielded
 Degree of protection IP67
 Mechanical operation > 50 Mating cycles

Material

Material of contact CuZn (Messing)
 Contact plating Au (gold)
 Material of contact body PA
 Material of housing PUR